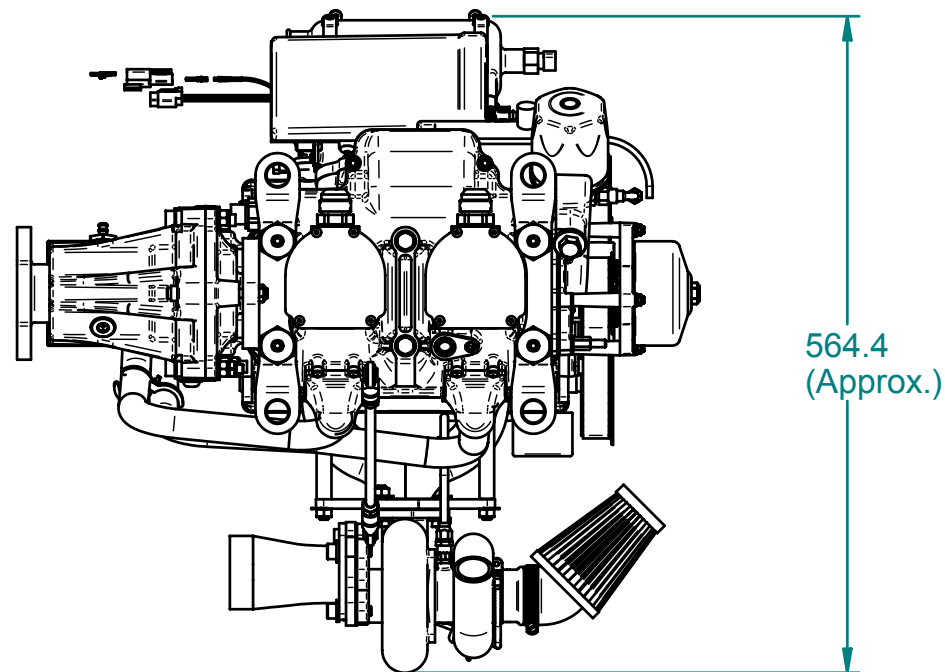
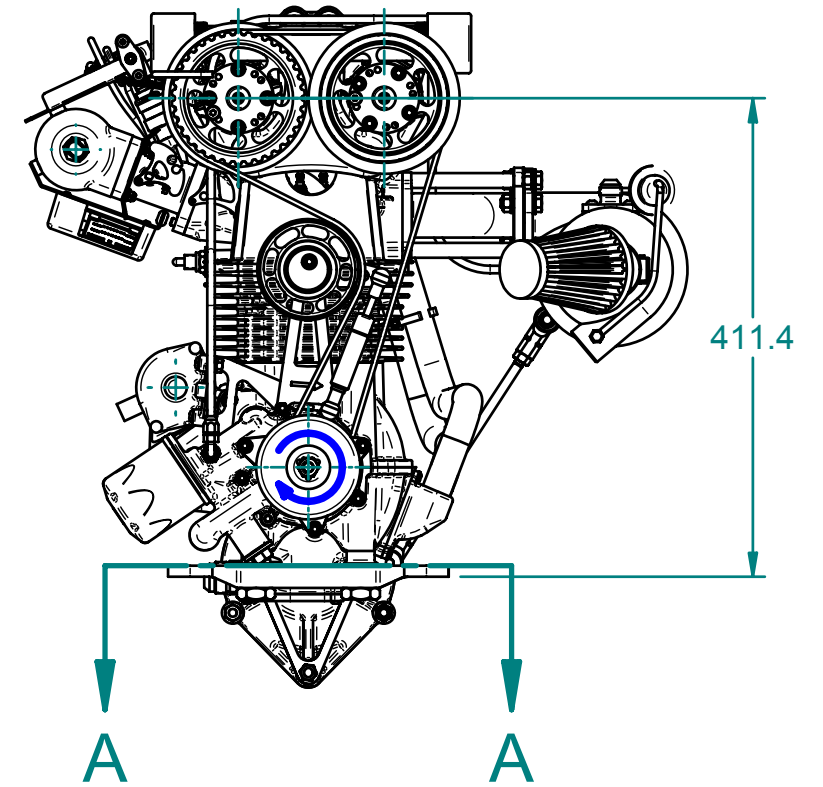
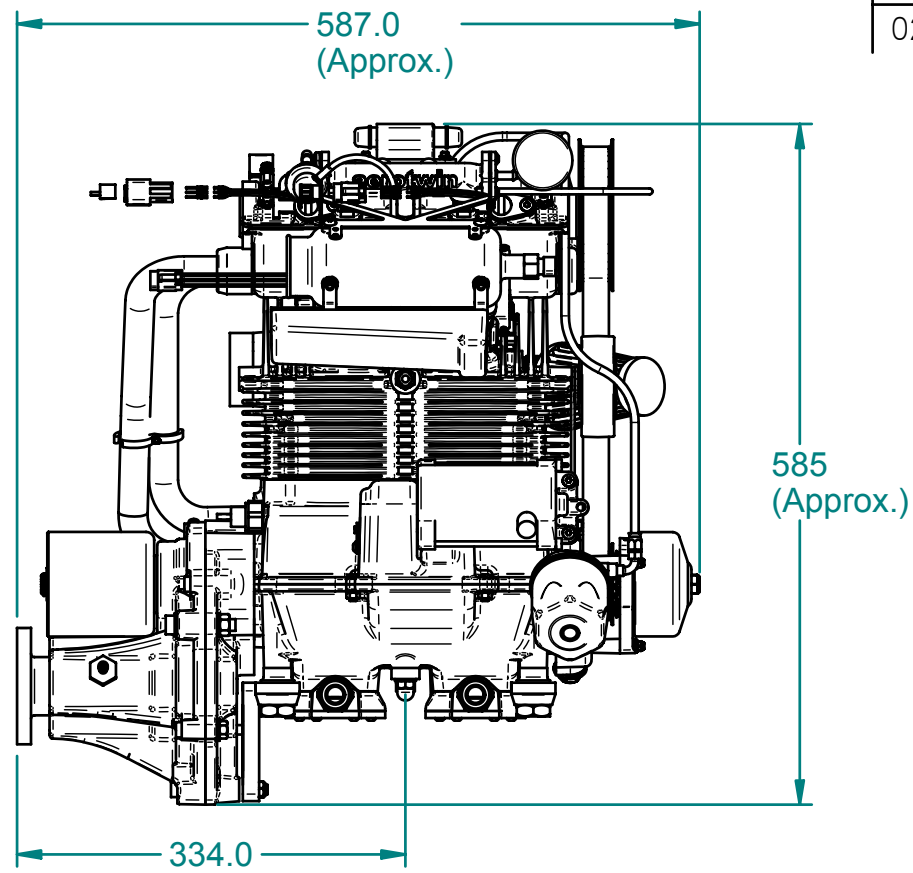
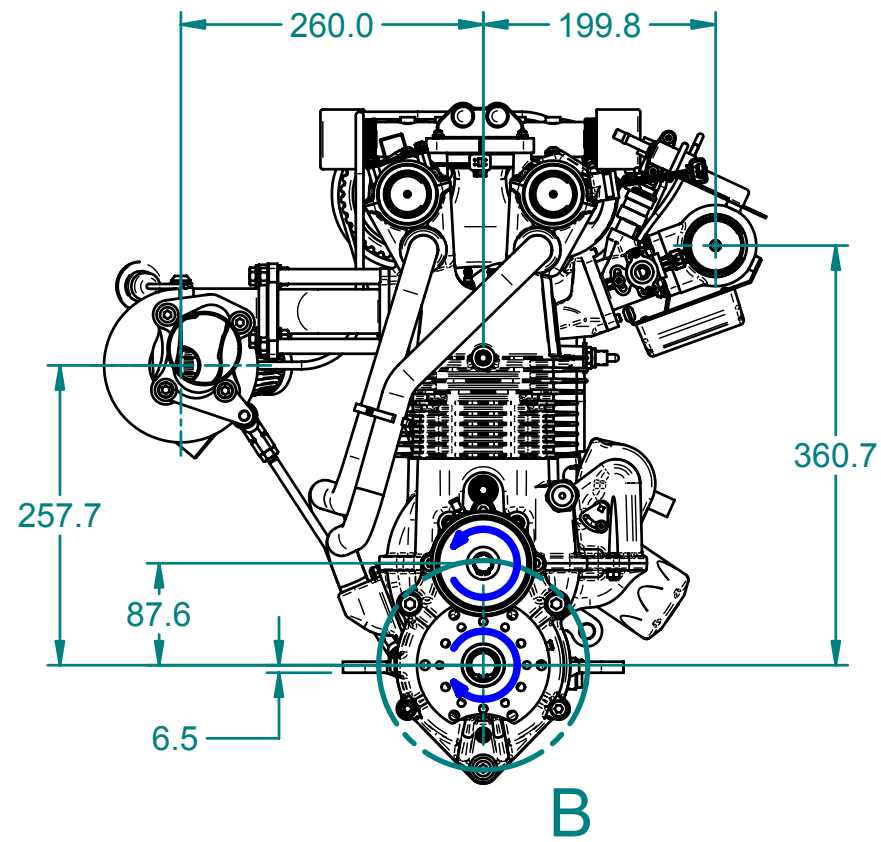


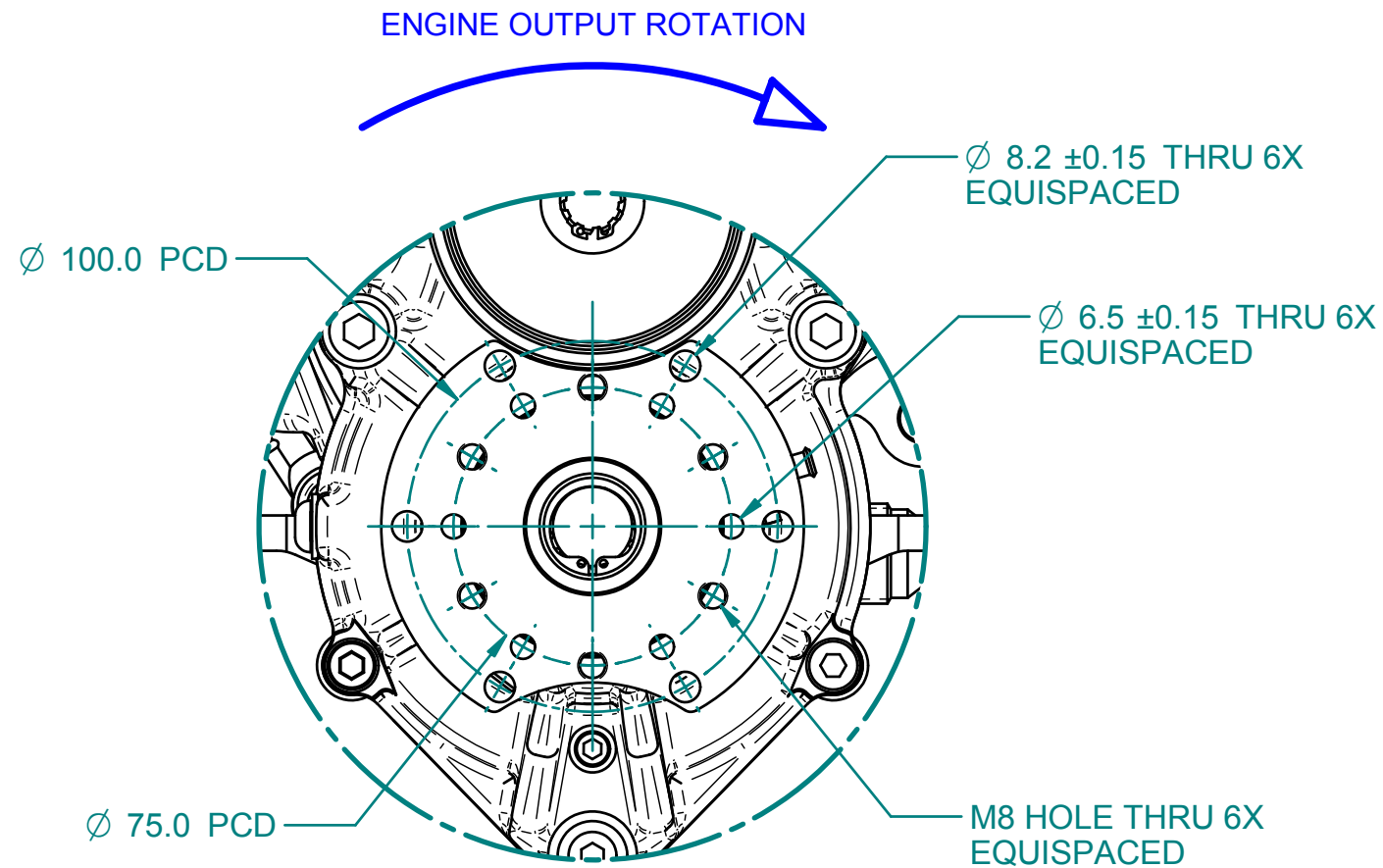
REVISION HISTORY

REV.	DESCRIPTION	DATE	APPROVED
02	REFER TO REVISION CONTROL SHEET	29 FEB 08	WLW

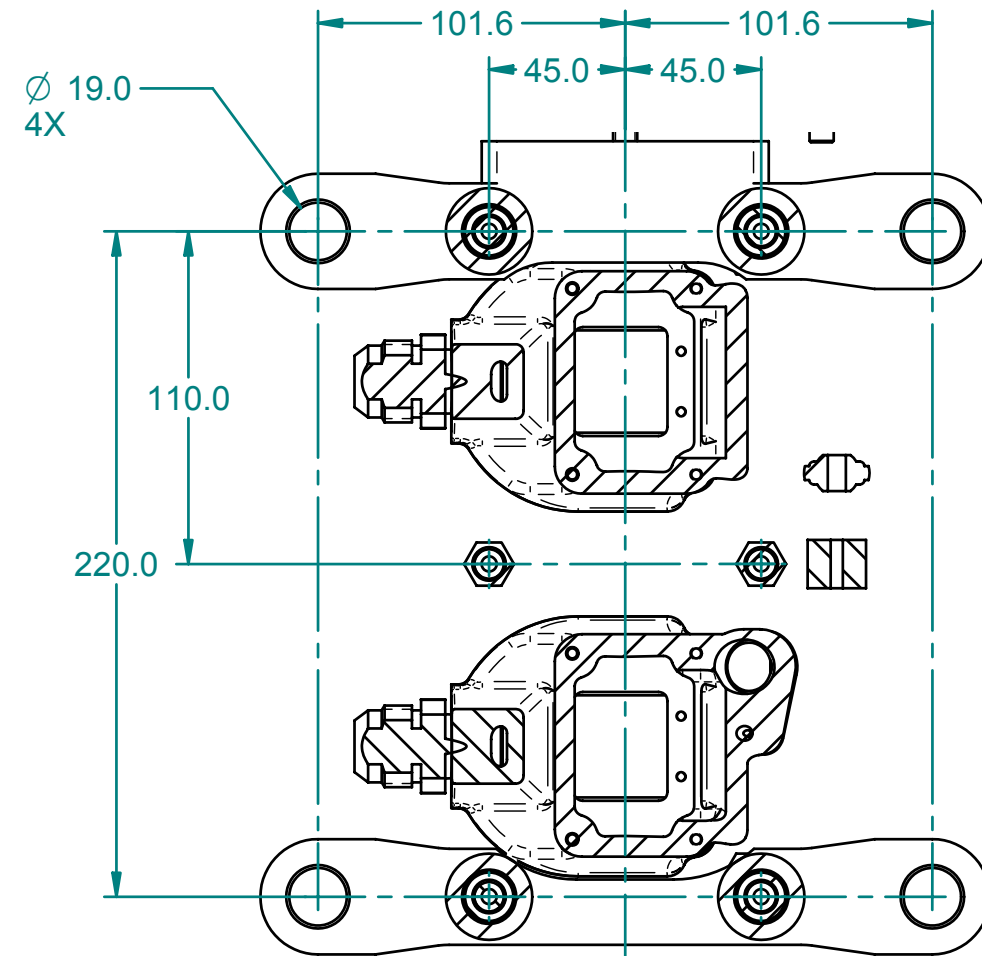


<p>PROPRIETARY AND CONFIDENTIAL THE INFORMATION CONTAINED IN THIS DRAWING IS THE SOLE PROPERTY OF AEROTWIN MOTORS CORPORATION. ANY REPRODUCTION IN PART OR AS A WHOLE WITHOUT THE EXPRESS PERMISSION OF AEROTWIN MOTORS CORPORATION IS PROHIBITED.</p>			<p>UNLESS OTHERWISE SPECIFIED: INTERPRET GEOMETRIC TOLERANCING TO ANSI Y 14.5 1994</p> <p>DIMENSIONS ARE IN mm GENERAL TOLERANCES: 1 DEC. PLACE = ±0.5 2 DEC. PLACES = ±0.25 3 DEC. PLACES = ±0.10 ANGULAR = ±0.3°</p> <p>BREAK EDGES 0.3 CORNER RADII 0.3 MACHINE FINISH 125µm/3.2µm Ra</p> <p>DO NOT SCALE DRAWING</p>	<table border="1"> <tr> <td></td> <td>NAME</td> <td>DATE</td> </tr> <tr> <td>DRAWN</td> <td>DCB</td> <td>2/29/2008</td> </tr> <tr> <td>CHECKED</td> <td>WLW</td> <td>2/29/2008</td> </tr> <tr> <td>ENG. APPR.</td> <td></td> <td></td> </tr> <tr> <td>MFG. APPR.</td> <td></td> <td></td> </tr> <tr> <td>QA</td> <td></td> <td></td> </tr> </table>		NAME	DATE	DRAWN	DCB	2/29/2008	CHECKED	WLW	2/29/2008	ENG. APPR.			MFG. APPR.			QA			<p>DRAWING NO. 802</p>
		NAME		DATE																			
DRAWN	DCB	2/29/2008																					
CHECKED	WLW	2/29/2008																					
ENG. APPR.																							
MFG. APPR.																							
QA																							
	<table border="1"> <tr> <td>NEXT ASSY.</td> <td>USED ON</td> </tr> <tr> <td colspan="2">APPLICATION</td> </tr> </table>	NEXT ASSY.	USED ON	APPLICATION		<p>COMMENTS:</p>	<p>TITLE: AeroTwin AP Low Drive Interface Dimensions</p>	<table border="1"> <tr> <td rowspan="2"> <p>SIZE A3</p> </td> <td>MATERIAL: REF: PART AND ASSEMBLY DRAWINGS</td> <td rowspan="2"> <p>REV. 02</p> </td> </tr> <tr> <td>CONDITION:</td> </tr> </table>	<p>SIZE A3</p>	MATERIAL: REF: PART AND ASSEMBLY DRAWINGS	<p>REV. 02</p>	CONDITION:											
NEXT ASSY.	USED ON																						
APPLICATION																							
<p>SIZE A3</p>	MATERIAL: REF: PART AND ASSEMBLY DRAWINGS	<p>REV. 02</p>																					
	CONDITION:																						
			<table border="1"> <tr> <td>SCALE:</td> <td>WEIGHT:</td> <td>SHEET 1 OF 4</td> </tr> </table>	SCALE:	WEIGHT:	SHEET 1 OF 4																	
SCALE:	WEIGHT:	SHEET 1 OF 4																					


REVISION HISTORY			
REV.	DESCRIPTION	DATE	APPROVED
02	REFER TO REVISION CONTROL SHEET	29 FEB 08	WLW



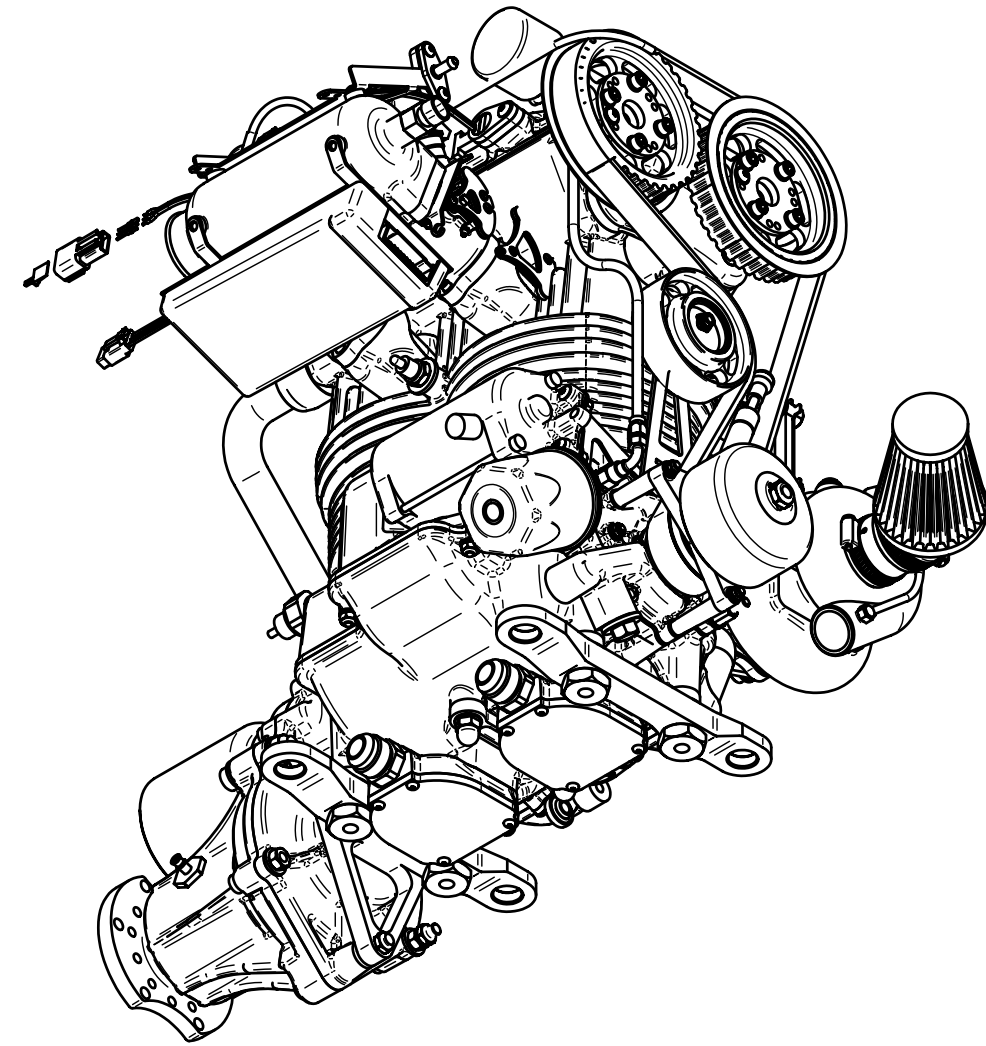
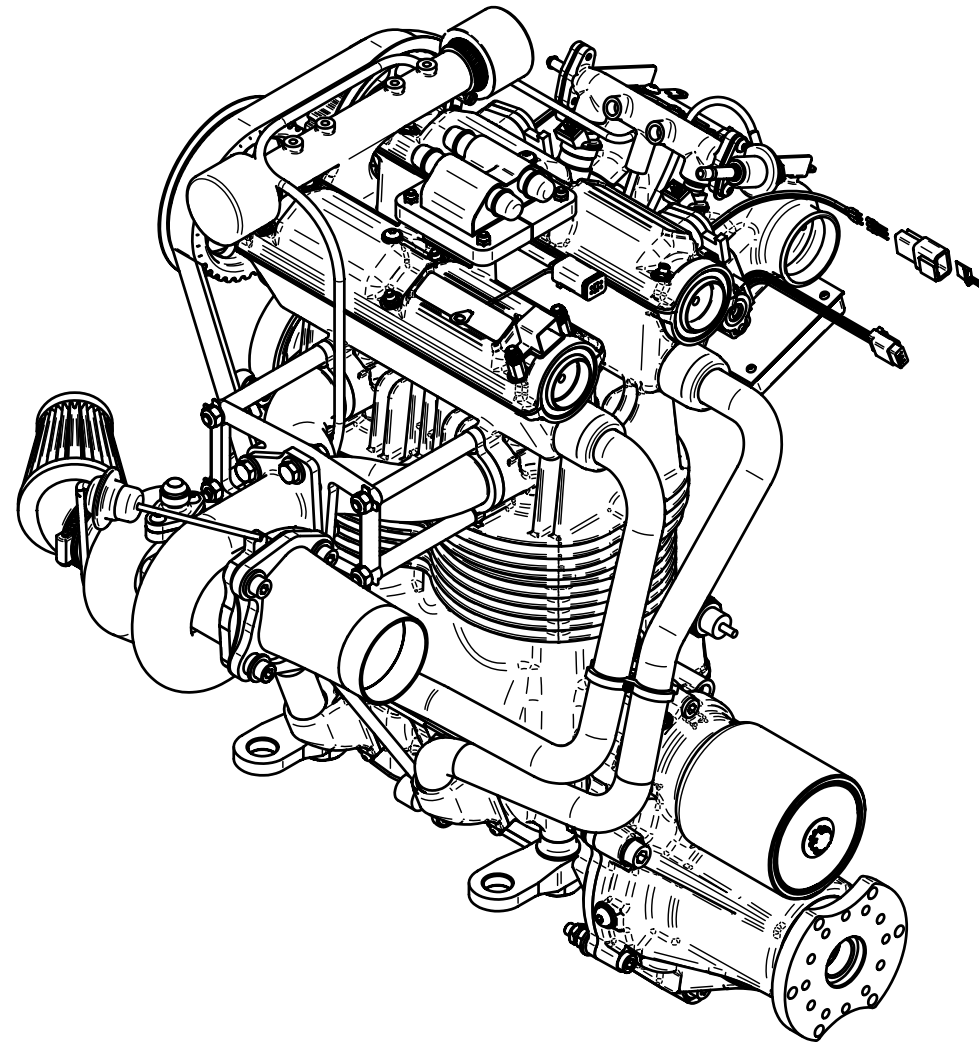
OUTPUT FLANGE DETAIL B



ENGINE MOUNT FOOTPRINT SECTION A-A

<p>PROPRIETARY AND CONFIDENTIAL THE INFORMATION CONTAINED IN THIS DRAWING IS THE SOLE PROPERTY OF AEROTWIN MOTORS CORPORATION. ANY REPRODUCTION IN PART OR AS A WHOLE WITHOUT THE EXPRESS PERMISSION OF AEROTWIN MOTORS CORPORATION IS PROHIBITED.</p>			<p>UNLESS OTHERWISE SPECIFIED: INTERPRET GEOMETRIC TOLERANCING TO ANSI Y 14.5 1994</p> <p>DIMENSIONS ARE IN mm GENERAL TOLERANCES: 1 DEC. PLACE = ±0.5 2 DEC. PLACES = ±0.25 3 DEC. PLACES = ±0.10 ANGULAR = ±0.3°</p> <p>BREAK EDGES 0.3 CORNER RADII 0.3 MACHINE FINISH 125µm/3.2µm Ra</p> <p>DO NOT SCALE DRAWING</p>	NAME	DATE	DRAWING NO. 802			
				DRAWN	DCB		2/29/2008		
				CHECKED	WLW	2/29/2008	TITLE:		
				ENG. APPR.			AeroTwin AP Low Drive Interface Dimensions		
				MFG. APPR.					
					QA				
				COMMENTS:			SIZE	MATERIAL: REF: PART AND ASSEMBLY DRAWINGS	REV.
							A3	CONDITION:	02
							SCALE:	WEIGHT:	SHEET 2 OF 4

REVISION HISTORY			
REV.	DESCRIPTION	DATE	APPROVED
02	REFER TO REVISION CONTROL SHEET	29 FEB 08	WLW



PICTORIAL VIEWS 1:5

PROPRIETARY AND CONFIDENTIAL THE INFORMATION CONTAINED IN THIS DRAWING IS THE SOLE PROPERTY OF AEROTWIN MOTORS CORPORATION. ANY REPRODUCTION IN PART OR AS A WHOLE WITHOUT THE EXPRESS PERMISSION OF AEROTWIN MOTORS CORPORATION IS PROHIBITED.			UNLESS OTHERWISE SPECIFIED: INTERPRET GEOMETRIC TOLERANCING TO ANSI Y 14.5 1994 DIMENSIONS ARE IN mm GENERAL TOLERANCES: 1 DEC. PLACE = ±0.5 2 DEC. PLACES = ±0.25 3 DEC. PLACES = ±0.10 ANGULAR = ±0.3° BREAK EDGES 0.3 CORNER RADII 0.3 MACHINE FINISH 125µm/3.2µm Ra DO NOT SCALE DRAWING	NAME	DATE	DRAWING NO. 802 TITLE: AeroTwin AP Low Drive Interface Dimensions
	NEXT ASSY.	USED ON		DRAWN	DCB	
	APPLICATION	COMMENTS:	ENG. APPR.	MFG. APPR.	Q.A.	MATERIAL: REF: PART AND ASSEMBLY DRAWINGS CONDITION:
	SCALE:	WEIGHT:	REV.	02	SHEET 3 OF 4	

7

6

5

4

3

2

1

