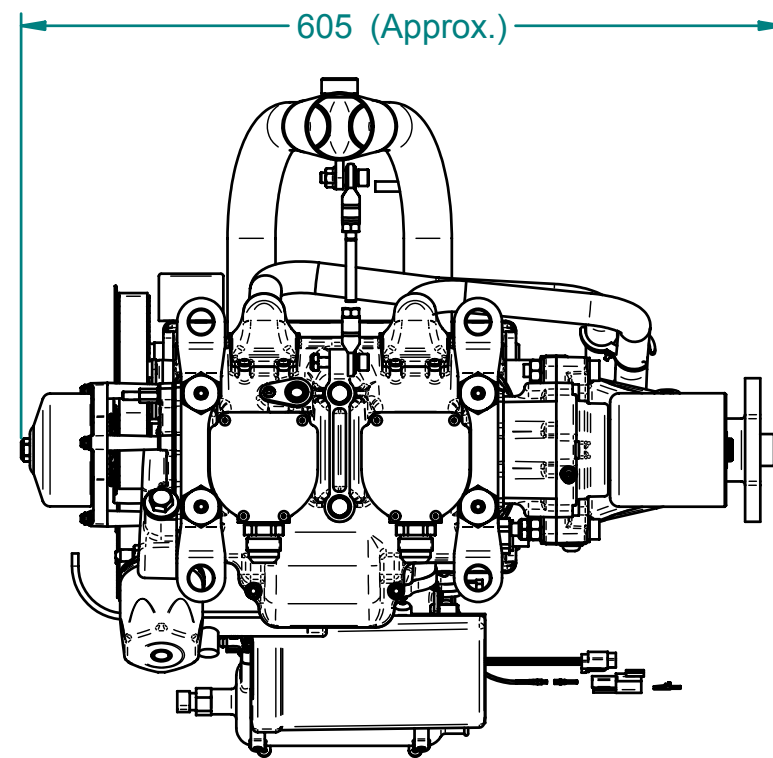
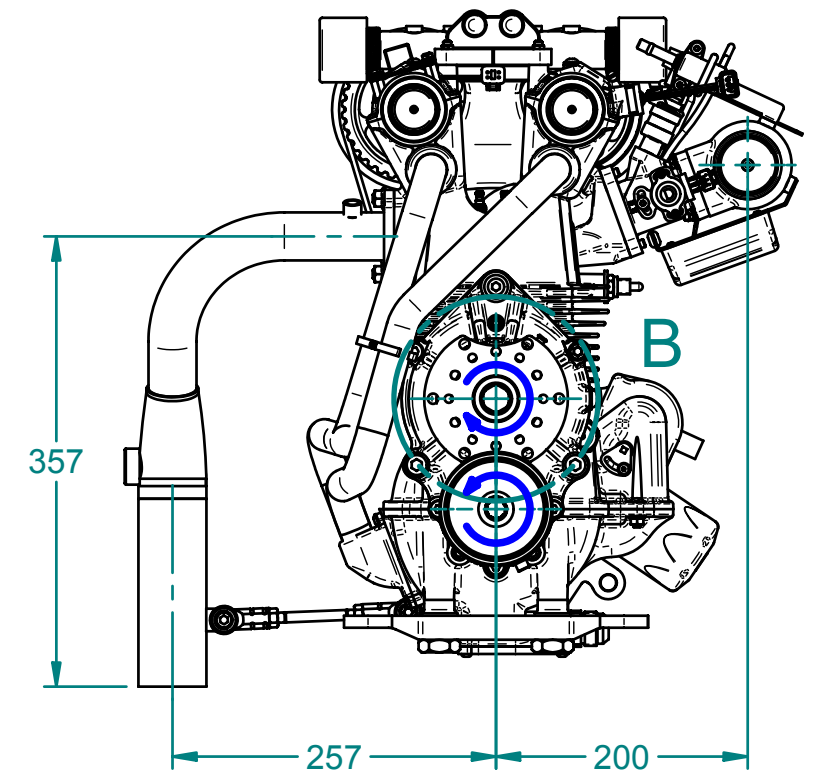
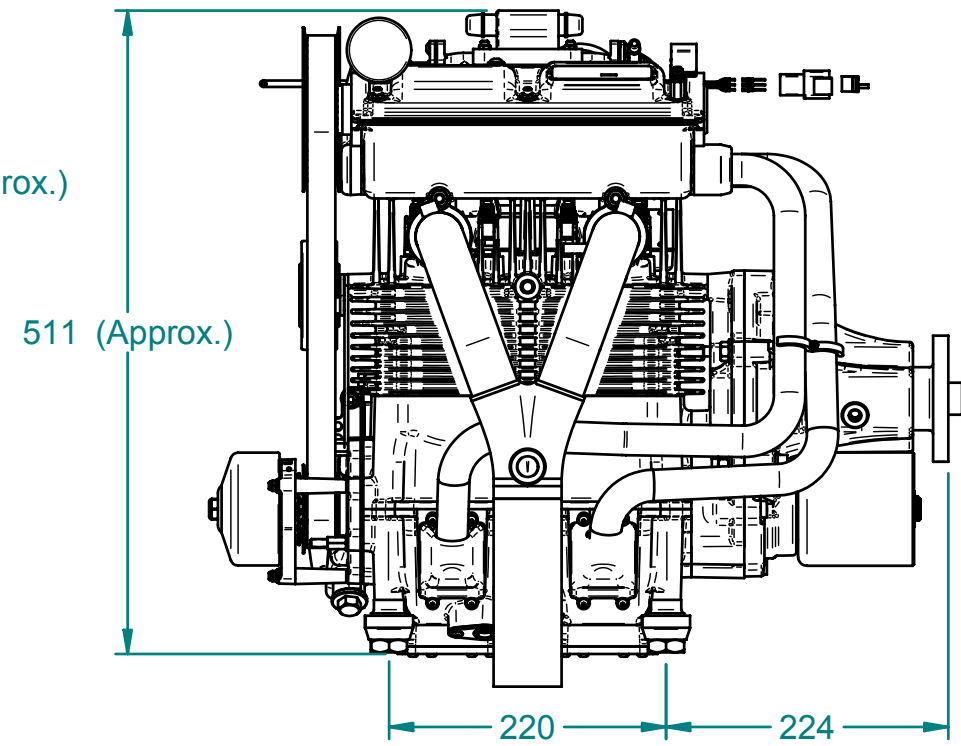
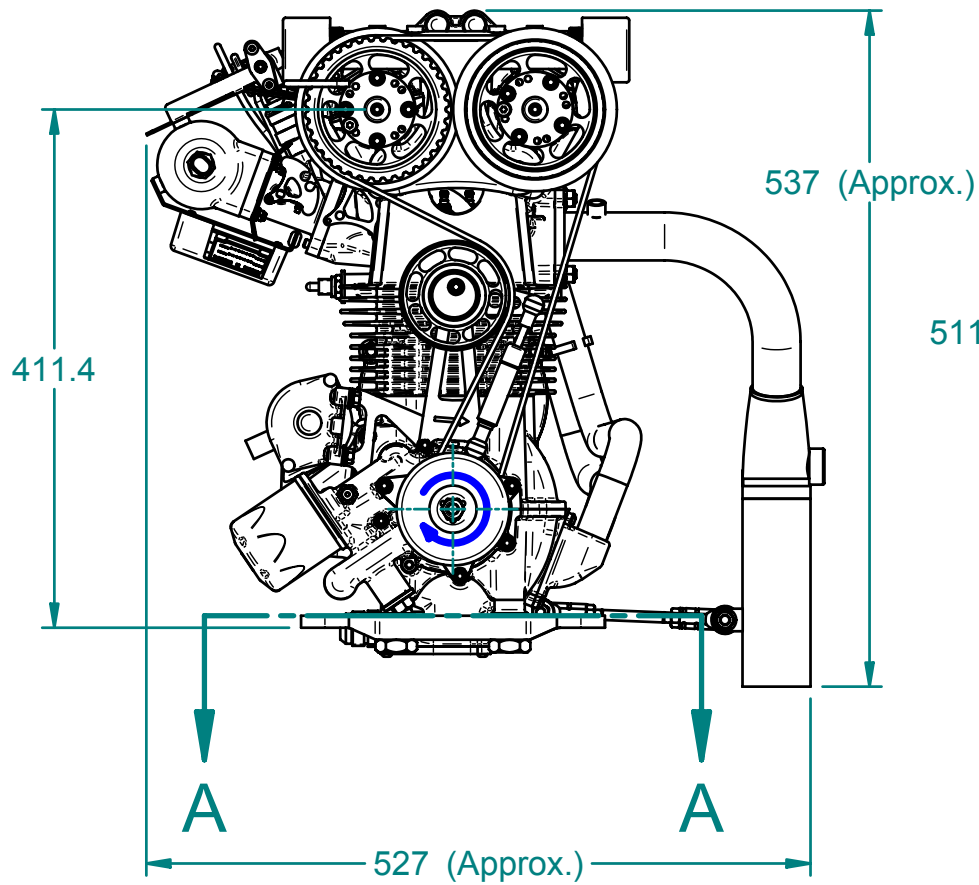



REVISION HISTORY

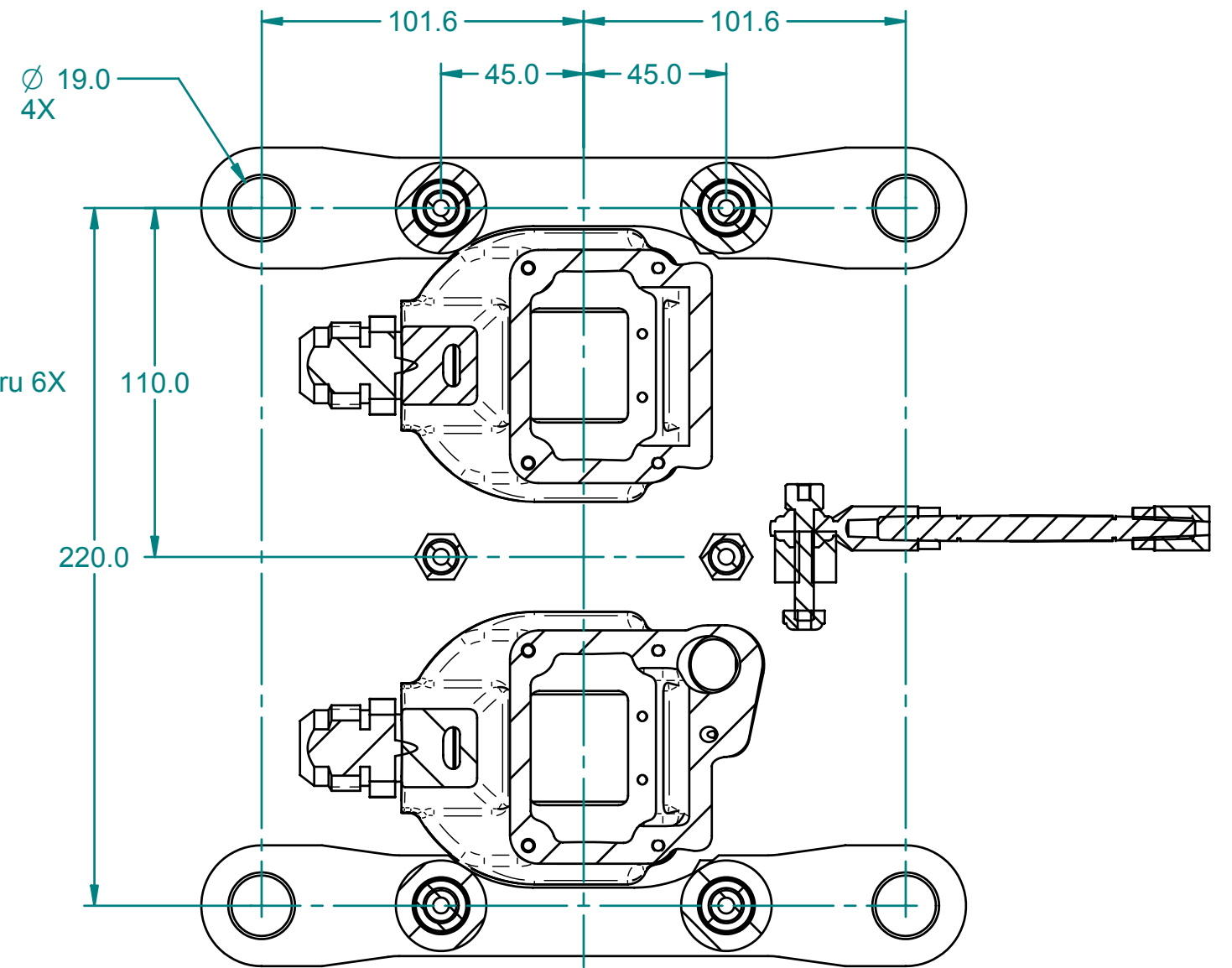
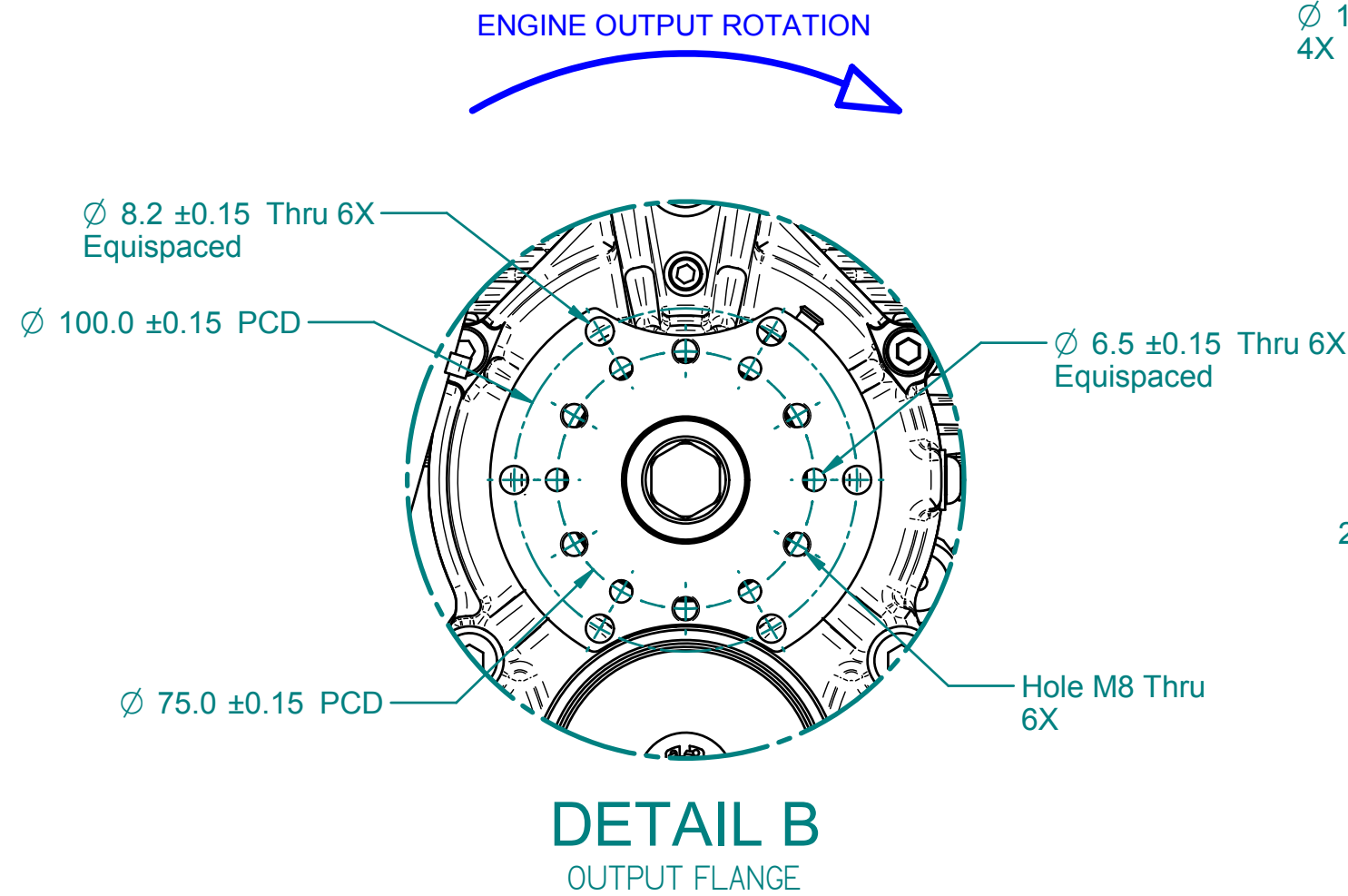
REV.	DESCRIPTION	DATE	APPROVED
00	NEW ASSEMBLY DRAWING	04 MAR 08	WLW




1:6

<p>PROPRIETARY AND CONFIDENTIAL THE INFORMATION CONTAINED IN THIS DRAWING IS THE SOLE PROPERTY OF AEROTWIN MOTORS CORPORATION. ANY REPRODUCTION IN PART OR AS A WHOLE WITHOUT THE EXPRESS PERMISSION OF AEROTWIN MOTORS CORPORATION IS PROHIBITED.</p>			<p>UNLESS OTHERWISE SPECIFIED: INTERPRET GEOMETRIC TOLERANCING TO ANSI Y 14.5 1994</p> <p>DIMENSIONS ARE IN mm GENERAL TOLERANCES: 1 DEC. PLACE = ±0.5 2 DEC. PLACES = ±0.25 3 DEC. PLACES = ±0.10 ANGULAR = ±0.3°</p> <p>BREAK EDGES 0.3 CORNER RADII 0.3 MACHINE FINISH 125µm/3.2µm Ra</p> <p>DO NOT SCALE DRAWING</p>	NAME	DATE	DRAWING NO. 808		
				DCB	3/4/2008			
	NEXT ASSY.	USED ON		CHECKED	WLW	3/4/2008	TITLE:	
	APPLICATION			ENG. APPR.			808, Complete generic engine VNA exhaust	
				MFG. APPR.				
				QA				
				COMMENTS:			SIZE	
							A3	
							MATERIAL: REF: PART AND ASSEMBLY DRAWINGS	REV.
							CONDITION: REF: PART AND ASSEMBLY DRAWINGS	00
							SCALE:	WEIGHT:
								SHEET 1 OF 4

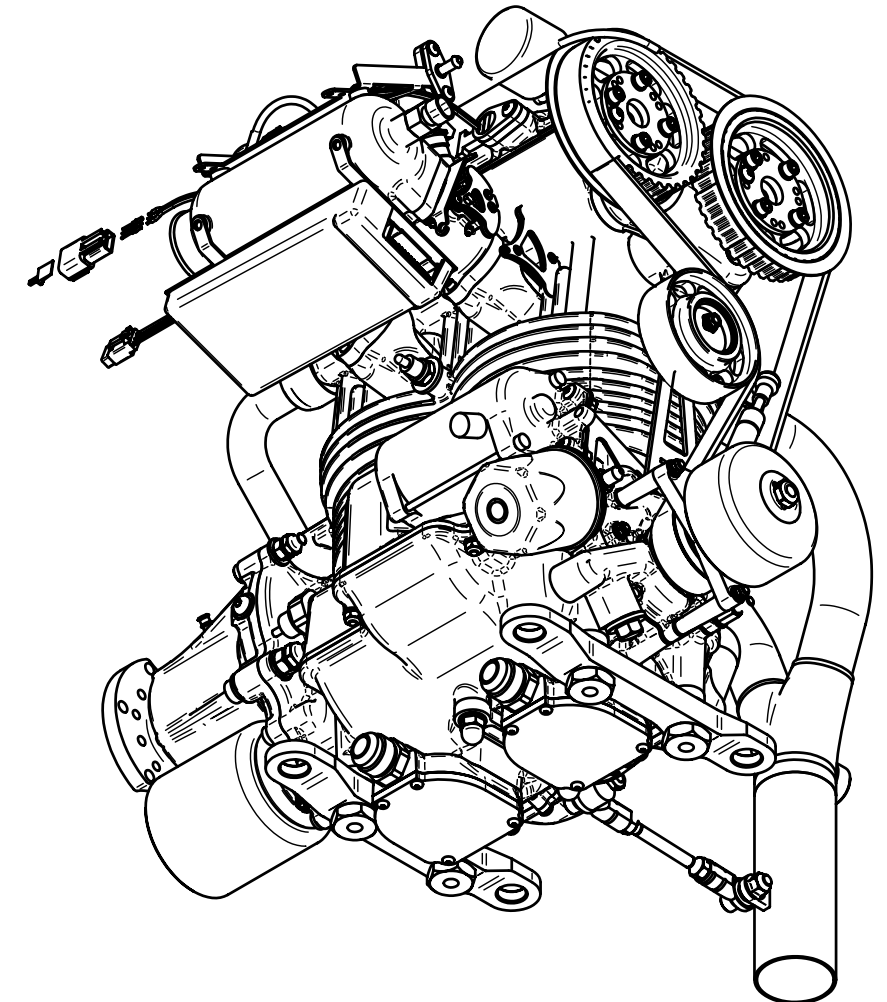
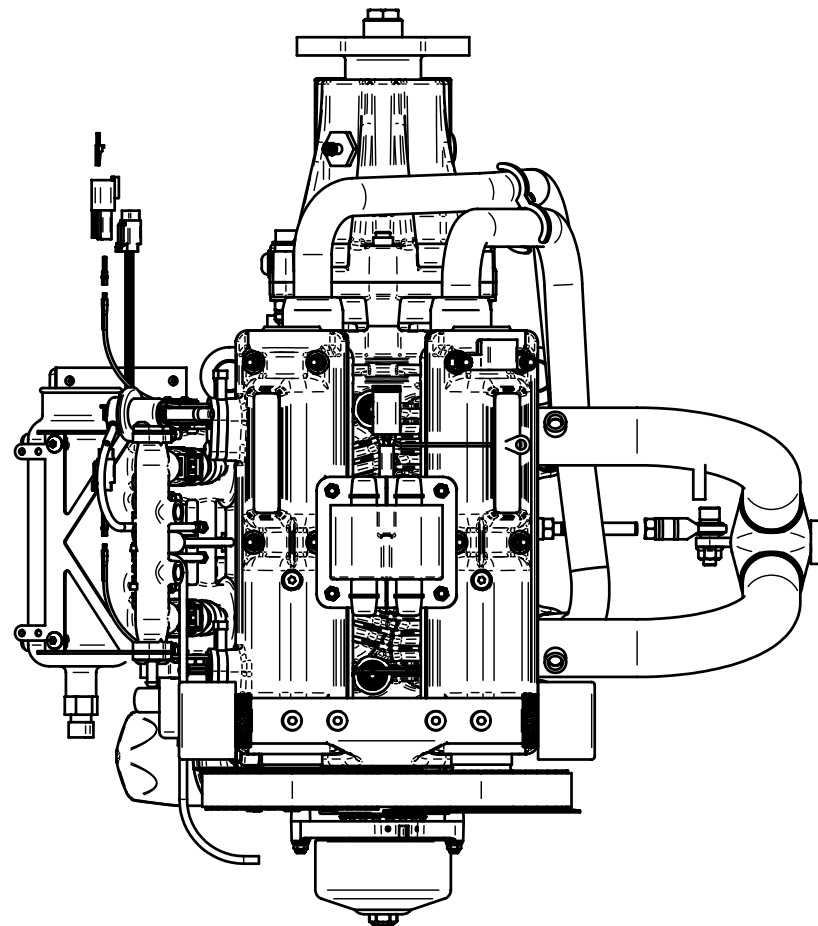
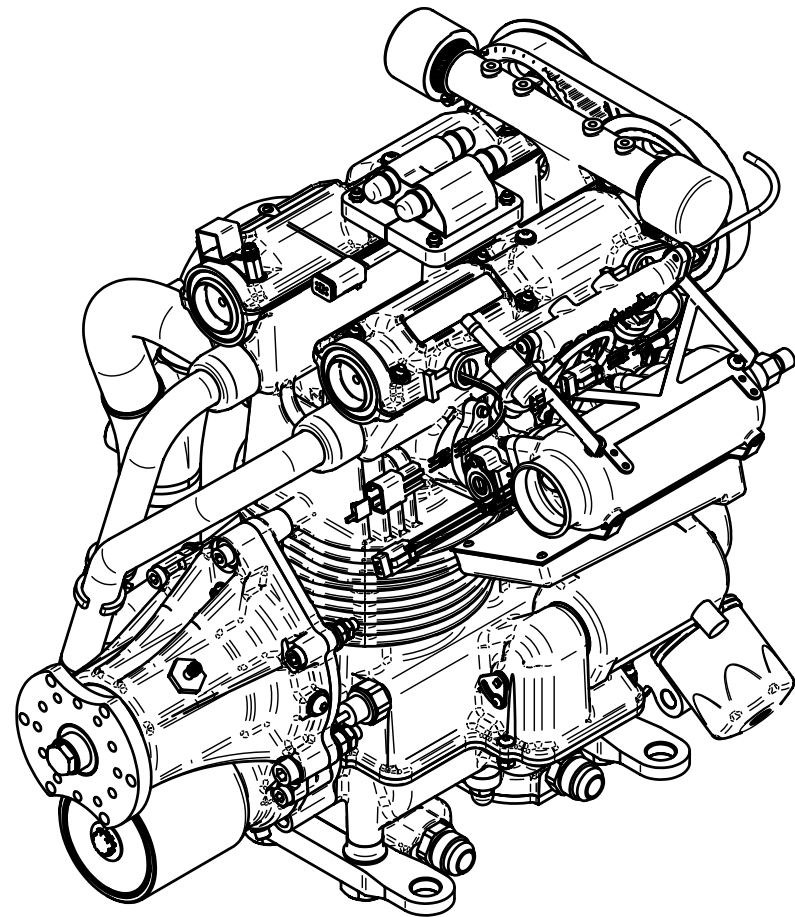
REVISION HISTORY			
REV.	DESCRIPTION	DATE	APPROVED
00	NEW ASSEMBLY DRAWING	04 MAR 08	WLW



SECTION A-A
ENGINE MOUNT FOOTPRINT

PROPRIETARY AND CONFIDENTIAL THE INFORMATION CONTAINED IN THIS DRAWING IS THE SOLE PROPERTY OF AEROTWIN MOTORS CORPORATION. ANY REPRODUCTION IN PART OR AS A WHOLE WITHOUT THE EXPRESS PERMISSION OF AEROTWIN MOTORS CORPORATION IS PROHIBITED.			UNLESS OTHERWISE SPECIFIED: INTERPRET GEOMETRIC TOLERANCING TO ANSI Y 14.5 1994 DIMENSIONS ARE IN mm GENERAL TOLERANCES: 1 DEC. PLACE = ± 0.5 2 DEC. PLACES = ± 0.25 3 DEC. PLACES = ± 0.10 ANGULAR = $\pm 0.3^\circ$ BREAK EDGES 0.3 CORNER RADII 0.3 MACHINE FINISH 125 μ m/3.2 μ m Ra DO NOT SCALE DRAWING	NAME	DATE	DRAWING NO. 808			
				DRAWN	DCB		3/4/2008		
	NEXT ASSY.	USED ON		CHECKED	WLW	3/4/2008	TITLE:		
				ENG. APPR.			808, Complete generic engine VNA exhaust		
				MFG. APPR.					
					QA				
				COMMENTS:			SIZE	MATERIAL: REF: PART AND ASSEMBLY DRAWINGS	REV.
							A3	CONDITION: REF: PART AND ASSEMBLY DRAWINGS	00
							SCALE:	WEIGHT:	SHEET 2 OF 4

REVISION HISTORY			
REV.	DESCRIPTION	DATE	APPROVED
00	NEW ASSEMBLY DRAWING	04 MAR 08	WLW



PICTORIAL VIEWS 1:5

PROPRIETARY AND CONFIDENTIAL
THE INFORMATION CONTAINED IN THIS DRAWING IS THE SOLE PROPERTY OF AEROTWIN MOTORS CORPORATION. ANY REPRODUCTION IN PART OR AS A WHOLE WITHOUT THE EXPRESS PERMISSION OF AEROTWIN MOTORS CORPORATION IS PROHIBITED.



NEXT ASSY. USED ON
APPLICATION

UNLESS OTHERWISE SPECIFIED:
INTERPRET GEOMETRIC TOLERANCING TO ANSI Y 14.5 1994
DIMENSIONS ARE IN mm
GENERAL TOLERANCES:
1 DEC. PLACE = ±0.5
2 DEC. PLACES = ±0.25
3 DEC. PLACES = ±0.10
ANGULAR = ±0.3°
BREAK EDGES 0.3
CORNER RADII 0.3
MACHINE FINISH 125µm/3.2µm Ra
DO NOT SCALE DRAWING

	NAME	DATE
DRAWN	DCB	3/4/2008
CHECKED	WLW	3/4/2008
ENG. APPR.		
MFG. APPR.		
QA		

COMMENTS:

DRAWING NO. 808		
TITLE: 808, Complete generic engine VNA exhaust		
SIZE A3	MATERIAL: REF: PART AND ASSEMBLY DRAWINGS	REV. 00
	CONDITION: REF: PART AND ASSEMBLY DRAWINGS	
SCALE:	WEIGHT:	SHEET 3 OF 4

